

Contact

LAN Systems (Nexans Cabling Solutions)
 Phone: +44 (0)1256 486640
 ncs.uk@nexans.com

LANmark-OF Drop Cable

LANmark-OF Drop Cable 2x Singlemode 9/125 OS2 LSZH Yellow

Nexans ref.: N164.090Y

Description

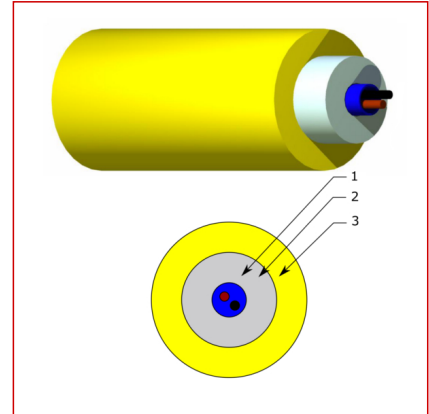
This reinforced drop cable is ideally used for FTTH deployments integrating the new generation of G657 fibres.

Construction:

1. Tube with 2 fibres of 250 µm
2. Reinforcing watertight glass yarns
3. LSZH jacket

Characteristics

- Easy strippable bundle containing 2 fibres
- All dielectric design
- Flame non propagation (IEC 60332-1)
- Fire non propagation (IEC 60332-3)



LANmark-OF

Standards

International ISO/IEC 11801



Storage temperature, range
-40 .. 60 °C



Operating temp. range
-30 .. 60 °C



Min. dynamic operating bending rad.
15.0 mm



Ambient installation T°C range
0 .. 40 °C



Flame retardant
IEC 60332-1



Fire retardant
IEC 60332-3

LANmark-OF Drop Cable

LANmark-OF Drop Cable 2x Singlemode 9/125 OS2 LSZH Yellow

Nexans ref.: N164.090Y

Characteristics

| Construction characteristics | |
|--|--------------|
| Armour type | Glass yarns |
| Outer sheath | LSZH-FR |
| Fiber optic type | G.657A |
| Dimensional characteristics | |
| Number of optical fibres | 2 |
| Approximate weight | 21 kg/km |
| Nominal outer diameter | 4.1 mm |
| Mechanical characteristics | |
| Maximum pulling force by laying | 0.75 kN |
| Crush resistance (IEC 60794-1-E3) | 200 N/cm |
| Usage characteristics | |
| Installation type | Indoor |
| Storage temperature, range | -40 .. 60 °C |
| Operating temperature, range | -30 .. 60 °C |
| Minimum dynamic operating bending radius | 15.0 mm |
| Ambient installation temperature, range | 0 .. 40 °C |
| Flame retardant | IEC 60332-1 |
| Fire retardant | IEC 60332-3 |



Storage temperature,
range
-40 .. 60 °C



Operating temp.
range
-30 .. 60 °C



Min. dynamic operating
bending rad.
15.0 mm



Ambient installation T°C
range
0 .. 40 °C



Flame retardant
IEC 60332-1



Fire retardant
IEC 60332-3